



## Specification

<b>Product Type:</b>	Bathroom Taps
<b>Main Construction Material:</b>	Brass
<b>Mount Type:</b>	Deck
<b>Handle Type:</b>	Square
<b>Connection Inlet:</b>	3/4" BSP
<b>Connection Outlet:</b>	G 1/2"
<b>Number of Tap Holes:</b>	2
<b>Valve/Cartridge Type:</b>	3/4" Ceramic Disc Valve - 1/4 turn
<b>Plumbing System Requirements:</b>	Suitable for all plumbing systems, ideally balanced
<b>Minimum Dynamic Pressure (bar):</b>	0.2 bar
<b>Maximum Dynamic Pressure (bar):</b>	5 bar
<b>Maximum Hot Water Temperature °C:</b>	65°C
<b>Maximum Static Pressure (bar):</b>	10 bar
<b>Flow Type:</b>	Single
<b>Isolation Included:</b>	No

## Features:

- Long life and easy to use 1/4 turn ceramic disc valves
- Metal back nuts for added durability
- Includes 1.75m hose, rub-clean anti-limescale handset and wall bracket
- Chrome plated to BS EN 248

## Product Certifications:



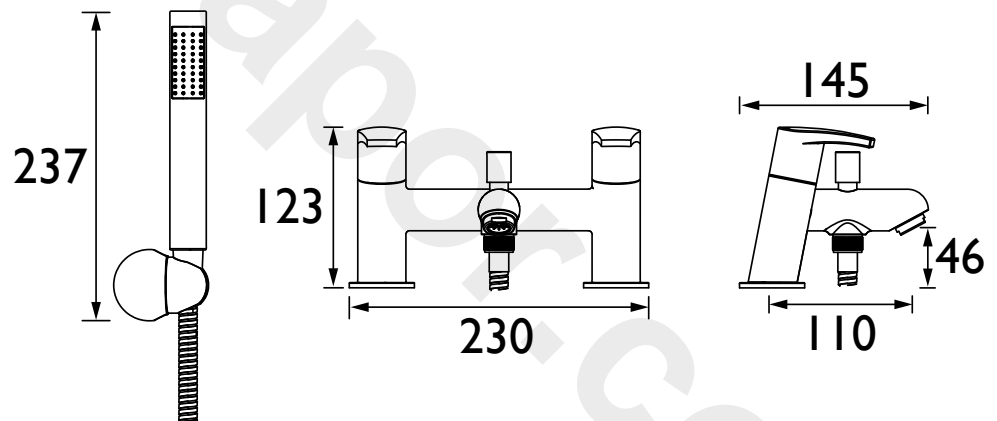
WRAS Certificate No: 1606010  
WRAS Expiry Date: 30/06/2021



For more products, visit our website:  
<http://www.bristan.com>



## Dimensions (measurements in mm)



## Flow Rates (l/min)

System Pressure (bar)	0.2	0.5	1	2	3	5
Through Bath Filler (mixed)	18.4	29.1	41.2	58.2	71.3	92
Through Handset (mixed)	5.2	8.2	11.6	16.4	20.1	25.9

# TECHNICAL DATA SHEET



# BRISTAN

D6